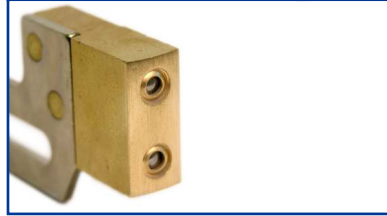


*A Unique 5 detainer locking mechanism for a high level of security.
Used for office and storeroom doors in high security establishments*

Features

- Steel Body
- Brass deadbolt with 14mm throw
- Anti-padsaw steel rollers
- 5 detainer mechanism with thousands of key combinations
- Built in protection against picking, drilling, force and torque attack
- Steel key
- Optional micro-switches for alarm system integration
- Can be suited as part of a master keyed system with any other CLCS detainer mortice lock
- Certified to Bs3621

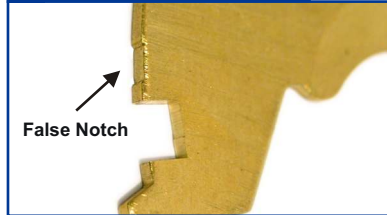
ANTI-PADSAW BOLT



STEEL KEY

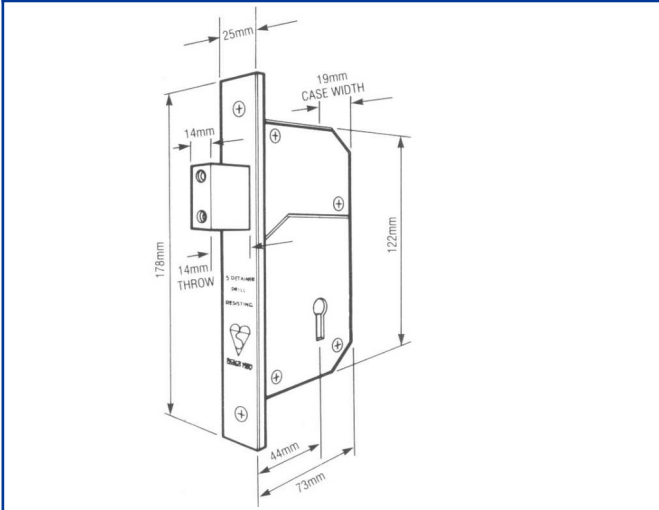


ANTI-PICK LEVER



3G110 - VERTICAL MORTICE DEADLOCK

DIMENSIONS



DURABILITY TESTING

Key Operations	60,000
Salt Spray	50 hours

ORDERING AND INSTALLATION

This lock should not be fitted to a wooded door less than 44mm thick. When fitting to steel doors and grille gates the lock must be housed within the special outer steel box which is welded to the gates. For steel faced doors the outer steel box can only be fitted during the door

manufacture stage and therefore must be ordered well in advance. This literature is designed as a guide to the extensive range of CLCS products. Please contact our sales department before ordering to ensure you have the correct specification for your application.



UK Telephone
Int Telephone
Email
Website

Chubb Locks Custodial Services Ltd
Well lane, Wolverhampton, WV11 1TB, United Kingdom
01902 867730
00 44 1902 867730
sales@clcsLtd.co.uk
www.clcsLtd.co.uk

