

3M56 MK 3

Heavy duty mortice hook bolt lock with single throw operation for securing sliding doors and gates

Features

- Heavy duty steel body
- Two-way hook bolt to prevent lifting
- Anti-padsaw, laminated hardened steel hook bolt
- Heavy duty steel bolt anchors hook bolt in place when locked
- 12 lever mechanism
- Maintenance free, durable
- Escutcheon provides positive key location
- Distinctive key design manufactured from hardened steel
- Integral key bit and stem

LAMINATED HOOK BOLTS WITH STEEL ANCHOR BOLT



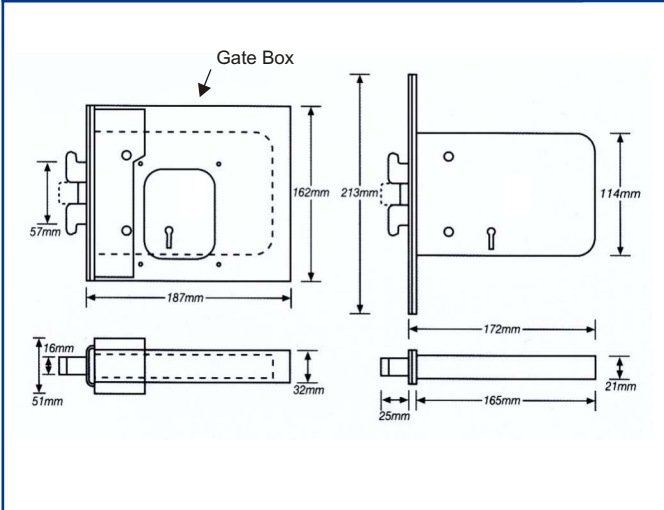
POSITIVE KEY LOCATION



3M56 MK3 - SINGLE THROW HOOK BOLT LOCK

DURABILITY TESTING	
Key Operations	500,000
Salt Spray	96 hours

DIMENSIONS



ORDERING AND INSTALLATION

This lock should not be fitted to a wooden door less than 54mm thick. When fitting to steel doors and grille gates the lock must be housed within the special outer steel box which is welded to the gates. For steel faced doors the outer steel box can only be fitted during the door

manufacture stage and therefore must be ordered well in advance. This literature is designed as a guide to the extensive range of CLCS products. Please contact our sales department before ordering to ensure you have the correct specification for your application.



UK Telephone 01902 867730
Int Telephone 00 44 1902 867730
 Email sales@clcsltd.co.uk
 Website www.clcsltd.co.uk

Chubb Locks Custodial Services Ltd
 Well lane, Wolverhampton, WV11 1TB, United Kingdom

