

**Heavy duty, dual control mortice pass lock with spring bolt.
Locking by electric solenoid or conventional key**

Features

- Steel spring bolt with 25mm throw
- Dual locking with mechanical key to override electric locking
- Double Solenoids for remote locking/unlocking and micro switches for tamper and bolt status monitoring.
- Concealed anti-padsaw steel rollers
- Self contained inner locking unit - replaceable
- Heavy duty steel body
- In-built proven anti-picking devices
- Escutcheon provides positive key location
- Used by UK prison authorities
- 3R66 version available with square bolt (no slam action)

SPRING BOLT



POSITIVE KEY LOCATION

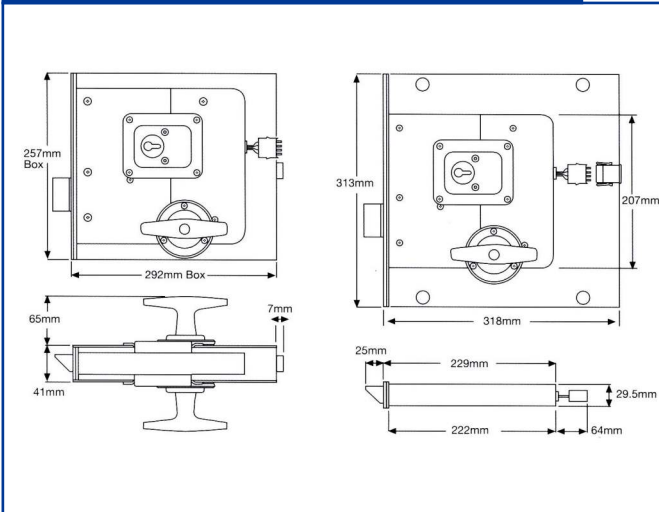


HANDLE ASSEMBLY



3R63 - DUAL CONTROL PASS LOCK

DIMENSIONS



DURABILITY TESTING

Key Operations <i>(mechanical key only)</i>	300,000
Solenoid Operations	200,000
Handle Operations	1,000,000
Door Slams	100,000
Saw Attack	12 hours
Salt Spray	96 hours

ORDERING AND INSTALLATION

This lock should not be fitted to a wooden door less than 54mm thick. When fitting to steel doors and grille gates the lock must be housed within the special outer steel box which is welded to the gates. For steel faced doors the outer steel box can only be fitted during the door manufacture stage and therefore

must be ordered well in advance. This literature is designed as a guide to the extensive range of CLCS products. Please contact our sales department before ordering to ensure you have the correct specification for your application.



UK Telephone
Int Telephone
Email
Website

Chubb Locks Custodial Services Ltd
Well lane, Wolverhampton, WV11 1TB, United Kingdom
01902 867730
00 44 1902 867730
sales@clcsLtd.co.uk
www.clcsLtd.co.uk

