

**The Chubb safes Electronic Hotel Safe is a Revolution in today's hotel safe management. It does not only provide security and convenience for hotel guests but also provides flexibility and customization to the hotel management.**



# Electronic Hotel Safe

burglar resistant safe

## Features

- For Hotel Guests, the Electronic Hotel safe operates on a personal pin number for confidentiality.
- For Hotel Management, The safe's electronic are managed by the chubb safes Overriding Security Unit (OSU) which functions as an accessing device and audit trail recorder.
- The advanced security software together with the safe's advanced features offers the ultimate protection against visible and non-visible breaches and tampering. The Electronic Hotel safe has been upgraded to include the flexibility of reprogramming the hotel safe to suit individual hotel needs.
- User-friendly operation of safes via hotel's choice of programmable 4-10 digit PIN number.
- Clear LED display coupled with large keypad buttons.
- Battery level indicator.
- Able to accommodate a laptop computer.
- Operate using 4 numbers of 'AA' size batteries.
- Equipped with a Tamper Resistance feature which renders the safe inoperable once tampered.
- The advanced safe software allows the Hotel to easily program the safes to suit their individual preferences.
  - ◆ Programmable PIN reset from 30 to 900 seconds.
  - ◆ Programmable PIN from 4 to 10 digits.
  - ◆ Programmable incorrect PIN tries from 0 to 10 tries.
  - ◆ Programmable lockout period from 1 to 30 minutes should the guest enter the wrong PIN number.
  - ◆ Distinguishable error messages for easier troubleshooting.
- A Security Access Code (SAC) that identifies each safe and restricts the OSU usage to a particular hotel only.
- Audit trails can be viewed from the pocket PC or printed on hardcopy.

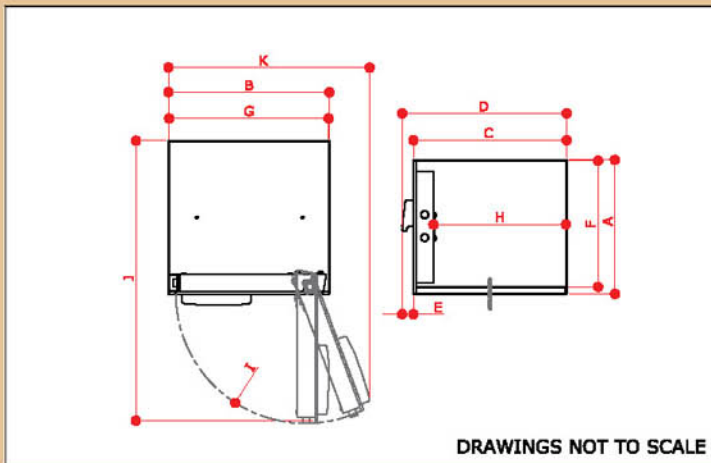


**Chubb safes**  
Trusted the world over.

BURGLAR  
RESISTANT

## Product Specifications

HOTEL SAFE	External (mm)					Internal (mm)								
	(A) Height	(B) Width	(C) Depth	(D) Clear depth over furniture	(E) Furniture Projection	(F) Height	(G) Width	(H) Depth	(I) Door Swing	(J) Depth with door at 90°	(K) Width when door is fully open	Nett weight (Kg)	Capacity (Litres)	No. of Front Bolts
MODEL 200	200	420	400	430	30	160	310	340	338	735	470	18	27	1
MODEL 250	250	420	400	430	30	210	310	340	338	735	470	19	34	1
MODEL 300	300	420	400	430	30	260	310	340	338	735	470	20	41	2
MODEL 350	350	420	400	430	30	310	310	340	338	735	470	21	48	2
MODEL 400	400	350	400	430	30	360	240	340	282	660	385	22	46	2
MODEL 450	450	350	400	430	30	410	240	340	282	660	385	23	52	2
MODEL 500	500	350	400	430	30	460	240	340	282	660	385	24	58	2
MODEL 550	550	350	450	480	30	510	240	390	282	710	385	31	73	2
MODEL 600	600	350	450	480	30	560	240	390	282	710	385	33	80	2



Electronic Hotel Safe Model 200 with OSU & Control Box

Authorised dealer:

Note: Chubbsafes policy is one of constant improvement. We reserve the right to alter any specification contained in this publication without prior notification. Variance  $\pm 5$ mm.

### Options

- Safe may be powered by either A/C Mains (240 volts) or D/C Battery Operated (6 volts).
- Safe may be fitted with a power outlet to recharge portable computers whilst locked in the safe.
- Optional bolting to a secured surface.
- Optional lighting (for A/C Mains only)

### Overriding Security Unit (OSU) Features

- OSU consist of a pocket PC and a USB connected control box.
- Allowable up to 13 management users with 3 levels of authority. This allows the management to segregate the usage of the OSU among the authorized staffs.
- Used as a safe accessing device for locked safes and as a power back-up for safes with depleted batteries. Audit Trail Capabilities.
  - ◆ 200 safe transactions
  - ◆ 200 OSU transactions
  - ◆ 100 open safe transactions
  - ◆ 100 tamper transactions
  - ◆ 100 reset tamper transactions
  - ◆ Room list
  - ◆ Record Date and Time of all transactions
  - ◆ Identifies safe and room number in audit trail

# Chubbsafes

Trusted the world over.

CHUBB MALAYSIA SDN. BHD. (7652-K)  
Kompleks Sime Darby, Persiaran Kawajipan,  
USJ 7, 47600 UEP Subang Jaya,  
Selangor Darul Ehsan, Malaysia.  
Tel: +603-5636 2824 Fax: +603-5636 4393

Website: <http://energy.simedarby.com>

'Chubb' is a registered trademark owned by Chubb plc and is used under license

A member of the  Sime Darby Group

